



DV Series WHOLE HOME DEHUMIDIFIERS

CLEAN COMFORT™ INDOOR AIR ESSENTIALS

Indoor comfort in your home is about more than just adjusting the temperature on the thermostat. Many homeowners overlook the need for necessary components and systems that can improve the indoor air you breathe. Indoor air quality products and systems are quite frequently treated as accessories. We define them as indoor air essentials.



WHOLE HOME MOISTURE CONTROL

FILTRATION



HUMIDITY CONTROL



PURIFICATION



VENTILATION



Breathe easier with the DV Series Dehumidifier

Protection you need

A central heating and cooling system offers just the basics with regard to enhanced indoor air quality for you and your family. Consider the fact that the Environmental Protection Agency (EPA) estimates that the air you breathe inside your home could be up to five times more polluted than the air outside your home¹. Beyond simply heating and cooling the air in your home, don't you want the best indoor air possible for your family? We make it a simple decision with Clean Comfort™ Indoor Air Essentials product solutions.

¹<http://www.epa.gov/region1/communities/indoorair.html>

Air conditioner's partner

A central air conditioner removes humidity from inside air while cooling your home to the temperature you have set on your thermostat. During spring and fall, when outdoor temperatures are more moderate, your air conditioning system may not need to run to maintain a comfortable indoor temperature. But if indoor humidity remains high, this can make your home uncomfortable and that's where a dehumidifier can save the day. When the humidity level in the home is higher than the setting on the dehumidistat, the dehumidifier will run, lowering the relative humidity in your home. In this way, you can enjoy automatic year-round comfort in your home.

Why buy a dehumidifier?

- Enhanced comfort: Consistent humidity control, especially in the milder seasons when your central AC may not be required.
- Cleaner, fresher air: The DV Series Dehumidifier's pleated media filter cleans your home's air as it dehumidifies. And when used with the DVP Digital Control and a mechanical damper, it can bring fresh outdoor air into the home.
- Protection: Hardwood floors, musical instruments and antiques all benefit from proper humidity levels. DV Series Dehumidifiers help remove excess humidity to keep your home furnishings from being damaged.



An easy solution for year-round whole home humidity control

A whole home dehumidifier removes humidity from the air using the same process as a central air conditioner. The DV Series Dehumidifier works in conjunction with your central AC system or operates independently as needed to maintain a comfortable humidity level in your home. Unlike a portable dehumidifier, which only removes humidity in the proximity

of the room where it is located, a DV Series dehumidifier attaches to the ductwork, providing dehumidification throughout your home. It is controlled by a dehumidistat, which monitors and controls the humidity levels in your home year-round.

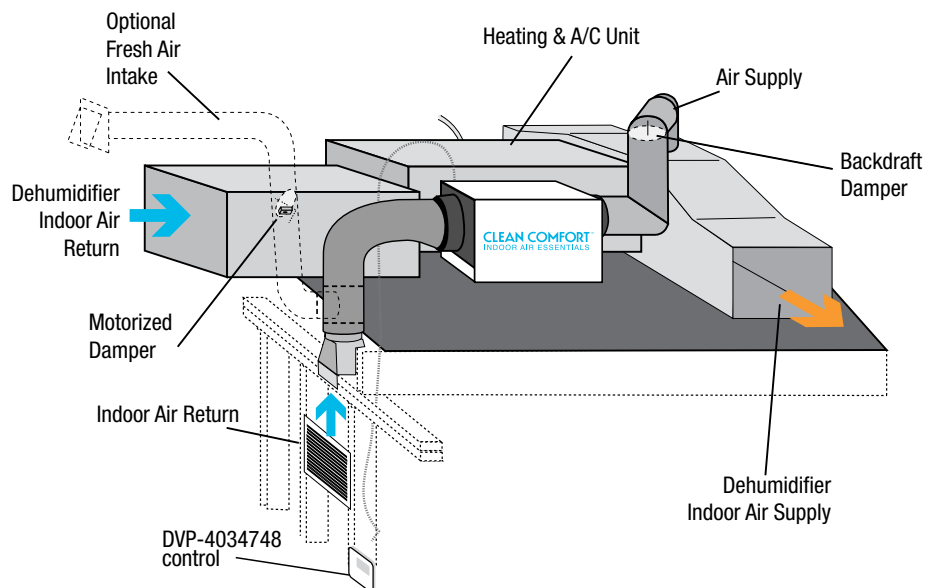
Why isn't my air conditioner sufficient to control humidity?

Your thermostat controls the temperature in your home, not the humidity. If you often find yourself feeling muggy, sticky, and even hot even when the thermostat is set to a seemingly comfortable temperature, you might benefit from a DV Series Whole Home Dehumidifier. Lowering the thermostat setting below where you normally would in an

attempt to lower the humidity and feel more comfortable can result in higher energy bills rather than enhanced comfort. Dehumidifiers remove moisture from the home's air whenever the humidity level is too high for your comfort, even if your central air conditioner is not operating.

Symptoms of high humidity in your home may include:

- › A musty odor in your living areas, basement, or crawl space
- › You feel "cold and clammy" when you're indoors
- › Asthma or allergy triggers are more pronounced
- › Visible mold growth, condensation or water stains
- › Cupped panels or warped wood floors
- › Peeling wallpaper or blistering paint



Try our family of Clean Comfort brand products for your whole home

